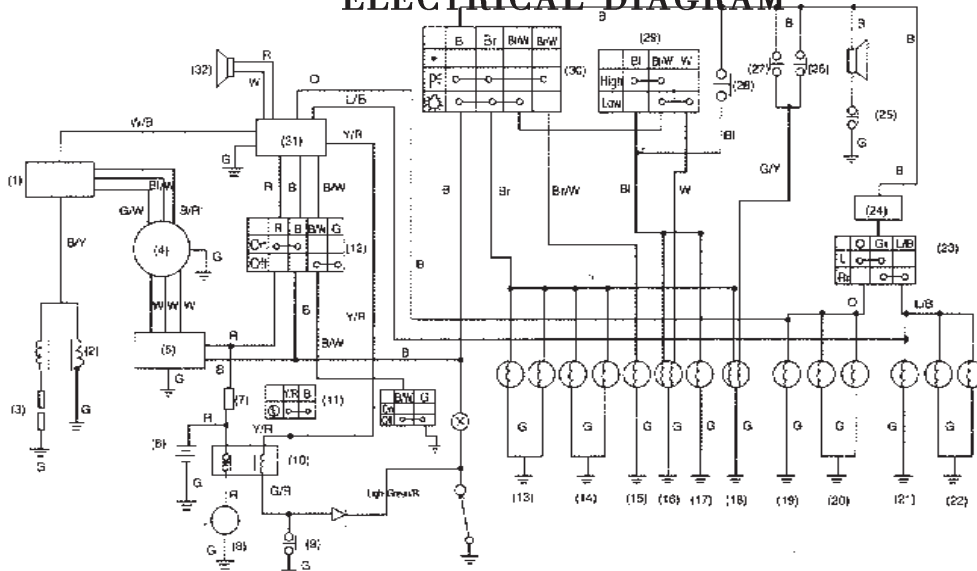


# ELECTRICAL DIAGRAM



1. CDI

2. Ignition coil

3. Spark plug

4. Generator

5. Voltage regulator

6. Battery

7. Overflow protector

8. Start motor

9. Clutch switch

10. Start relay

11. Power Switch

12. Ignition

13. Braking light

14. Meter light

15. Front Position Light

16. Headlight

17. High beam indicator

18. Tail light/braking light

19. Left turn indicator

20. Left turn Light

21. Right turn indicator

22. Right turn light

23. Turnlight switch

24. Flasher

25. Worn switch

26. Rear braking switch

27. Front braking switch

28. Overtaking Light Switch

29. Light changing Switch

30. Illuminator switch

31. Burglar alarm

32. Horn

Gr-grey B-Black Y-Yellow P-Pink

L-Left W-White BL-Blue L/B-Light Blue

Rj-Right R-Red O-Orange Br-Brown